

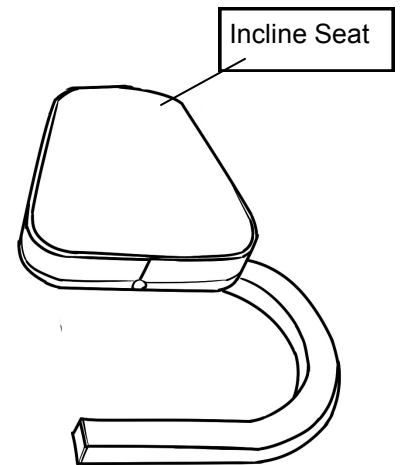
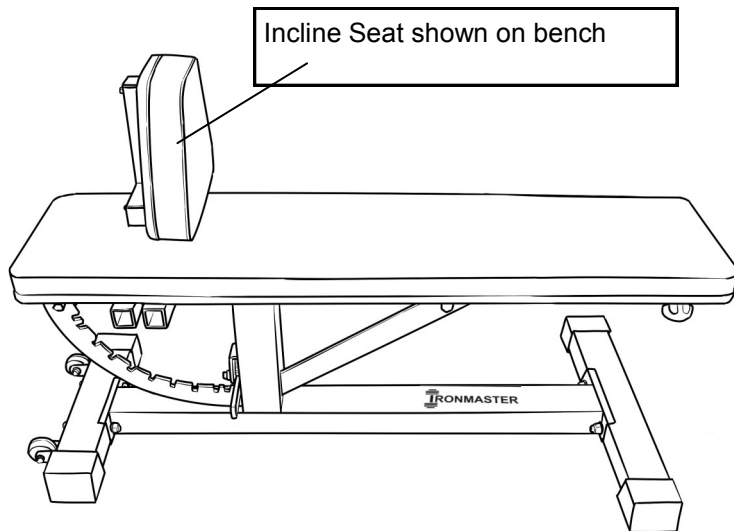
Assembly & Operating Instructions

Ironmaster Super Bench PRO

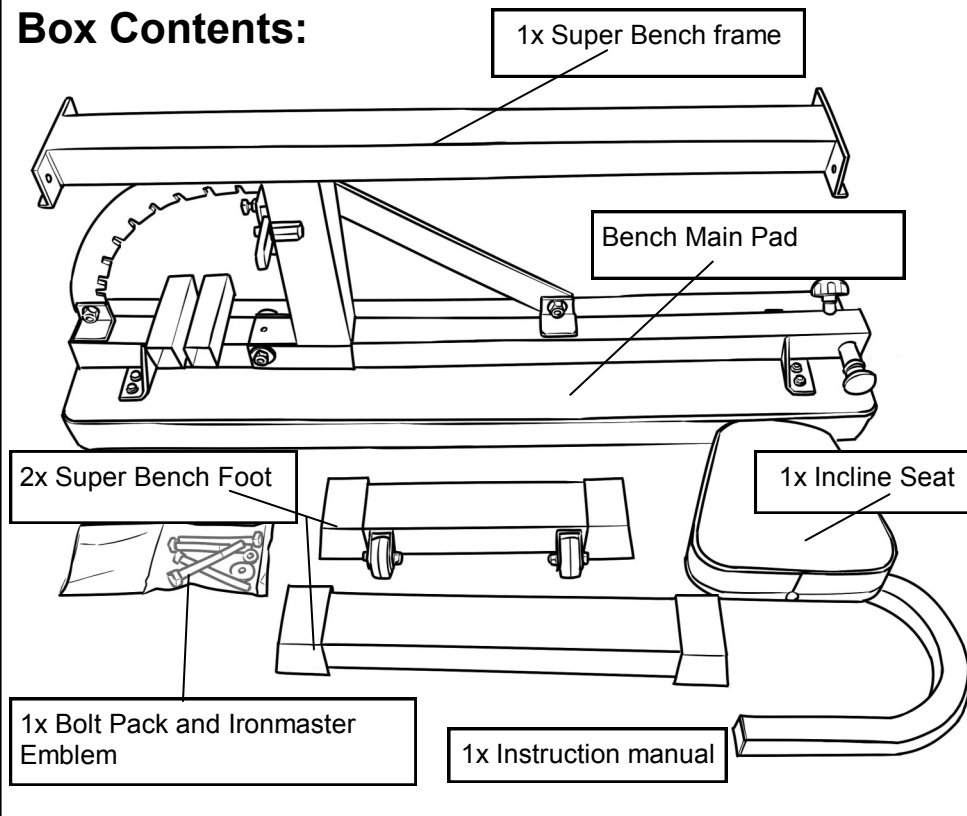
Congratulations on your purchase of this fine Ironmaster product. Be sure to read and understand the operating instructions to achieve the best performance and avoid injury.

Description:

This adjustable exercise bench is designed to be used for dumbbell training, in a rack or cage for barbell training, or with many various optional attachments. It is a heavy duty multi use bench with 11 angle positions and includes a removable incline seat. Some tools are required for assembly as indicated in the following steps. The maximum load capacity including the user is 1000 LBS/450 KGS in the flat position and 600 LBS/270 KGS when tilted or the incline seat is used.

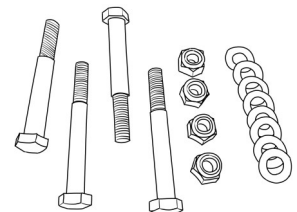


Box Contents:



Bolt Pack Contents:

IRONMASTER



1x Ironmaster Emblem
4x M12 x 100mm Hex Bolts
4x M12 Nylock nuts
8x M12 Washers

NOTE:

2x 19mm box wrench or Ratchet wrench (Not included) required for assembly

Assembly:

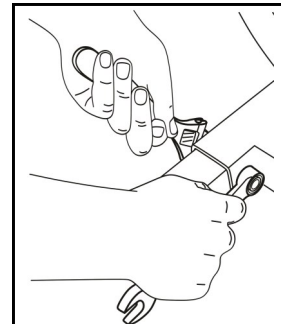
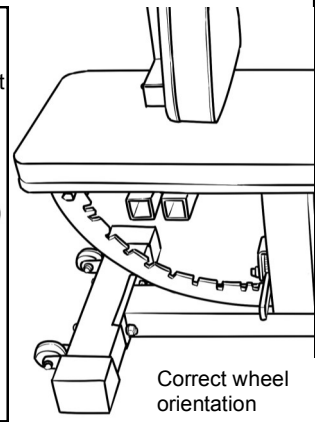
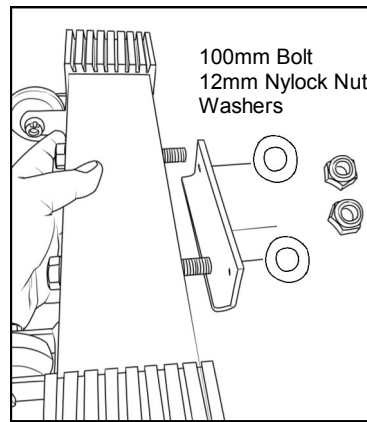
1. Remove contents from box. Find bolt pack.
2. Install foot while bench is upside down for convenience but do not tighten. **2x M12 x 100mm bolts 4x M12 Washers and 2x Nylock Nuts.**
3. Repeat process with opposite foot. Do not tighten.

NOTE: Make sure Foot with Wheels is on correct side as shown far right.

4. Turn Super bench upright and **tighten bolts securely**, and **retighten once assembly is complete.** Tighten bolts on level surface only to assure the bench is level. Bolt tension of 30ft lbs recommended.

5. Remove backing from Ironmaster Emblem and install.

NOTE: Assembly requires 2x 19mm wrenches (Not included).



Install M12 X100mm bolt and M12 Washer from outside

M12 Washer and M12 Nylock Nut on inside of frame

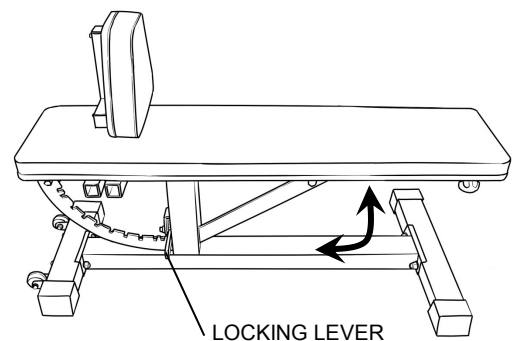
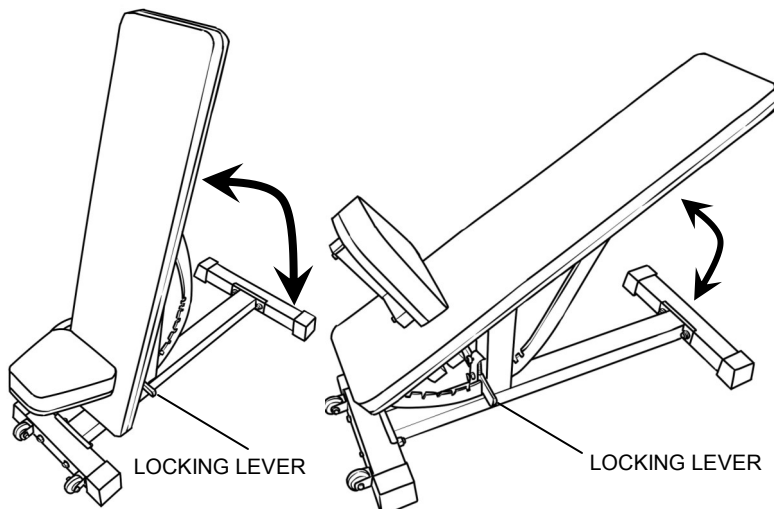
Tighten securely once both feet are installed

Operation:

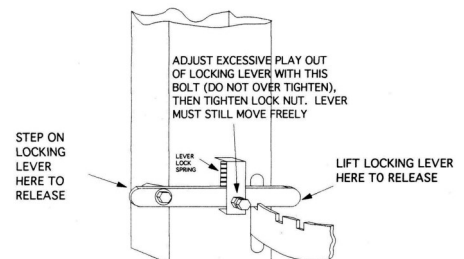
Be sure the locking lever enters the locking ring notches completely before using the bench. To adjust, lift the locking lever and move the bench to any of the 11 desired angles and lock lever into position. The incline seat simply plugs in from the side into position. There are three choices of plug ins available to best match height/comfort of user.

CAUTION: Keep fingers clear of locking lever where it engages with the locking ring.

The Super Bench can be set to 11 angles: 0, 5, 10, 20, 30, 40, 50, 60, 70, 80, and 85 degrees.

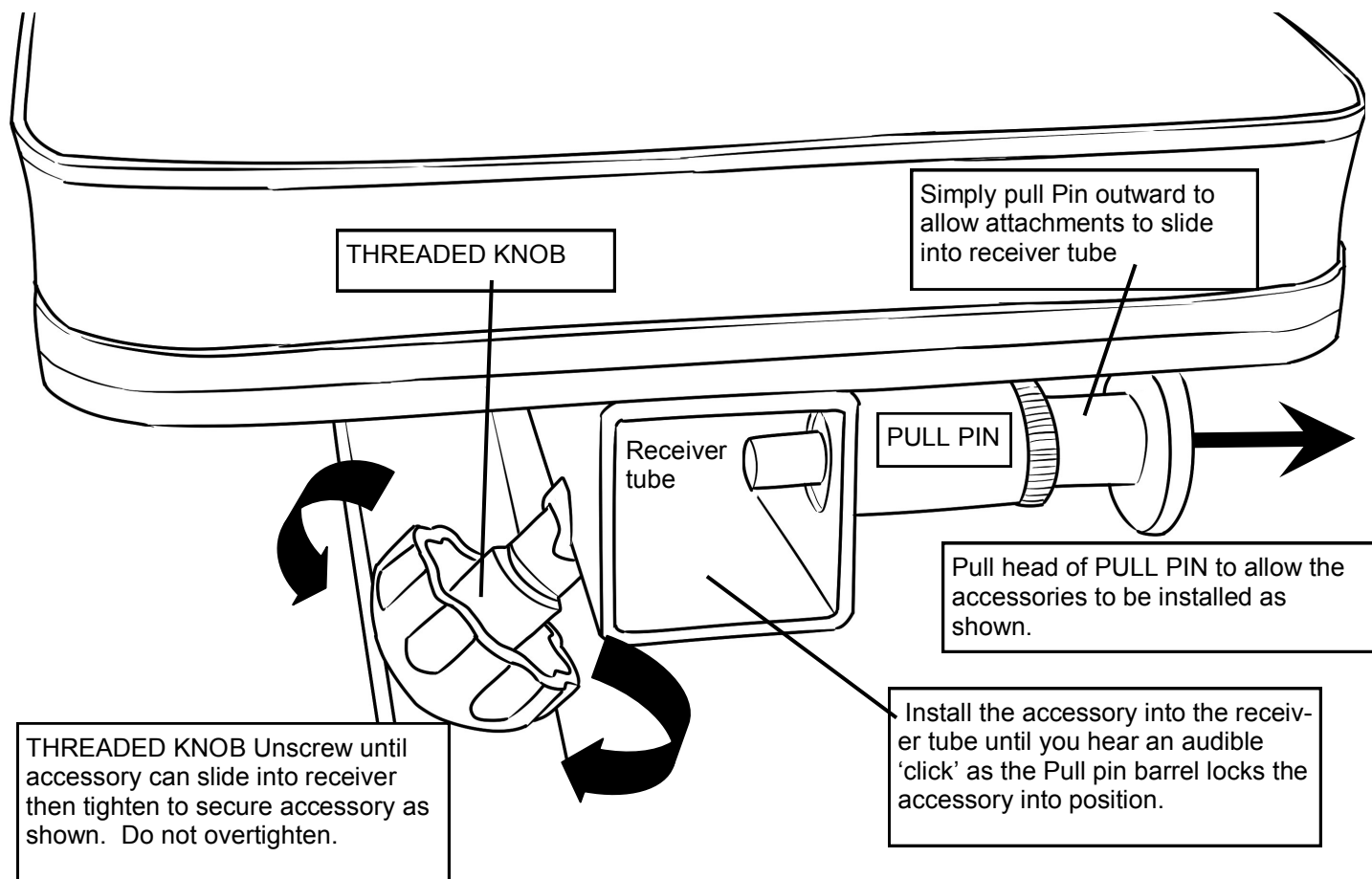


CAUTION: Make sure locking lever seats completely into any of the 11 positions within the locking ring. Failure to locate properly may result in the locking lever slipping out of position during use. If the locking ring cannot locate correctly please see instructions right. Should these adjustments fail to solve the problem, discontinue use and contact Ironmaster for further assistance.



Using the Super Bench PRO with accessories:

The Ironmaster Superbench PRO is designed to accommodate an array of accessories (Note only Ironmaster accessories are to be used with the Super Bench PRO). Located at the front of the Super Bench PRO is the receiver tube which will accommodate all current Ironmaster attachments (except Leg attachment, which will use a new Leg Attachment designed specifically for the lower bench height of the Ironmaster Super Bench PRO).



CAUTION: Although the PULL PIN is spring loaded and a positive lock, it is nevertheless recommended that the THREADED KNOB be tightened firmly while any accessories are being used with the Super Bench.

WARNING: Never under any circumstances use any of the Super Bench PRO accessories with either a faulty or missing pull pin in conjunction with the Super Bench. Serious injury could occur.

If the Pull pin fails to operate correctly or for any reason, fails to locate properly with the Ironmaster accessory, discontinue use and contact your nearest dealer.

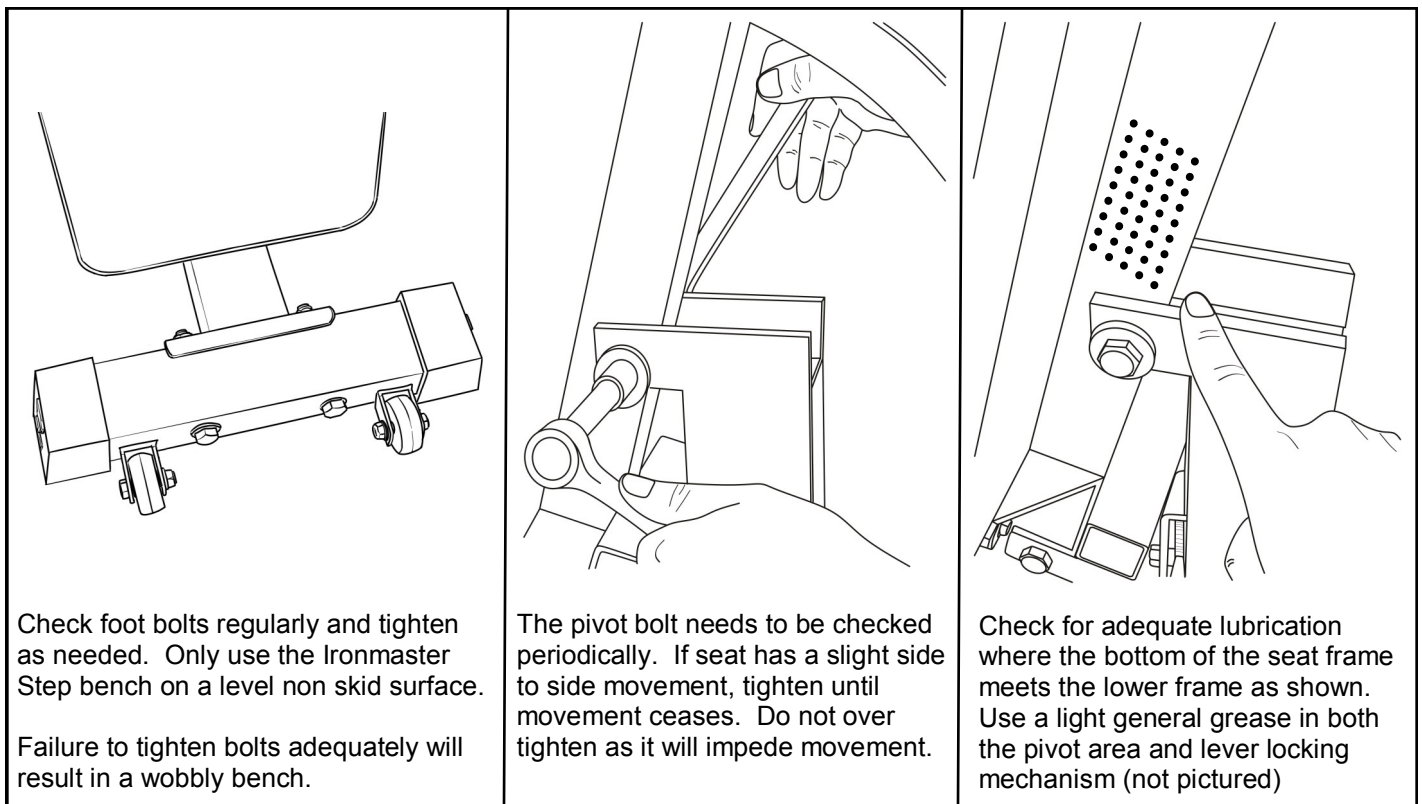
Specific installation instructions for the various Ironmaster accessories can be found in the User manuals provided with each Ironmaster accessory.

For further details regarding the Super Bench, operation, use with accessories, tutorials and video links, please visit our website at www.ironmaster.com

Maintenance and Troubleshooting:

The Super Bench PRO is of very robust construction and will provide many years of trouble-free operation. For best performance, please follow these simple steps for maintenance and increased product longevity.

1. Make sure to check and tighten (if needed) the four foot bolts on a regular basis. If bolts are discovered to be loose, do not use the bench until bolts are retightened to approx 30 ft lbs.
2. The main pivot bolt needs to be checked on occasion. If this bolt loosens over time, the bench will not feel as solid. You will require 2x 19mm wrenches to tighten this bolt. However, use care, if over-tightened the bench will not function properly as the seat deck frame will be unable to rotate freely to sit into the lower frame and therefore it will be difficult to bring the bench back to a full prone position.
3. The portion of the frame where the seat frame and lower frame meet is pre-lubricated from the factory with a generous amount of grease. Over time, this can become dirty/dried out and lead to premature rubbing/wear. If lubricant is overly dirty or dried out, wipe the area clean with a dry cloth and re-lubricate the area with a light general grease where the seat frame base and lower frame meet when the bench seat is down.
4. Periodically check tightness of the eight bolts holding the pad to the frame. Note it's easiest to do this when the bench is adjusted to a vertical position. Tighten if needed, but do not over-tighten as damage to the threaded inserts on the deck may occur. Use the same procedure for the smaller incline seat pad.



For customer service, contact your local distributor or:

Ironmaster LLC, 14562 167th Ave SE Monroe, WA 98272 USA

Web site: www.ironmaster.com Email: support@ironmaster.com Tel: 800-533-3339 or 1-360-217-7780

Warranty Information:

Ironmaster warrants to the original purchaser that this Home Fitness Product will be free from defects in workmanship and materials for a specific period from date of purchase based on the part type listed below. During the warranty period, Ironmaster will either repair or replace, at its option, defective part(s) at no charge. Warranty covers in home use only.

1 year for normal wear items such as rubber, upholstered parts and surface finishes.

10 years for frame and structural components.

Shipping costs are not included in the warranty and some items may need to be sent to Ironmaster for repair or replacement. Installation of any parts and labor involved is not included. The warranties described above shall be the sole and exclusive remedy available to the purchaser. Correction of defects, in the manner and for the period of time described above, shall constitute complete fulfillment of all liabilities and responsibilities of Ironmaster to the purchaser with respect to the product, and shall constitute full satisfaction of all claims, whether based on contract, negligence, strict liability or otherwise. In no event shall Ironmaster be liable or in any other way responsible for damages or defects in the product which were caused by repairs or attempted repairs performed by anyone other than Ironmaster or Authorized service Contractor. This warranty shall not apply if the defect was caused by misuse, neglect or normal wear and tear of the product purchased. Nor shall Ironmaster be liable or in any way responsible for any incidental or consequential economic or property damage. Some states do not allow the exclusion of incidental or consequential damage, so the above exclusion may not apply to you.