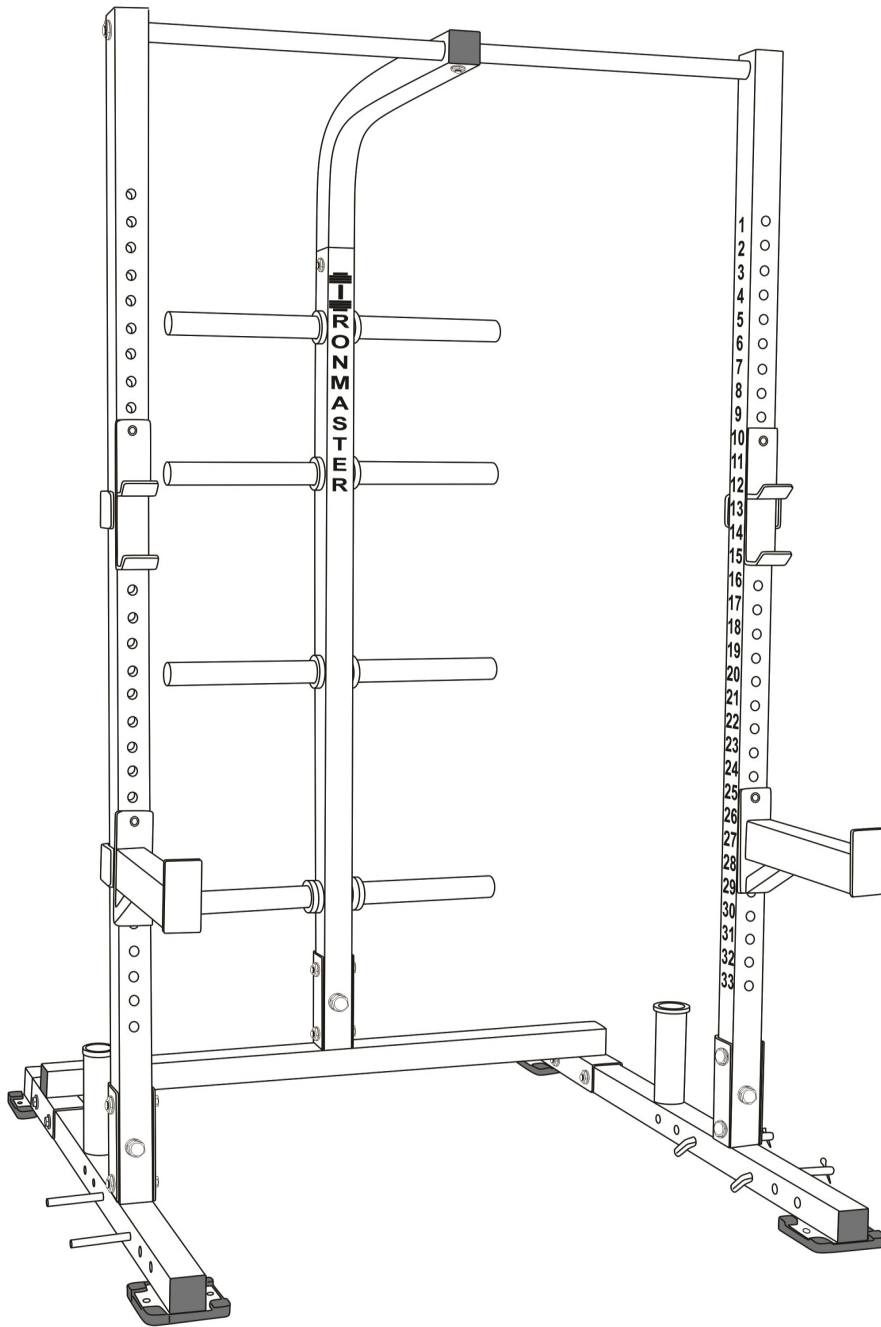


# Assembly & Operating Instructions

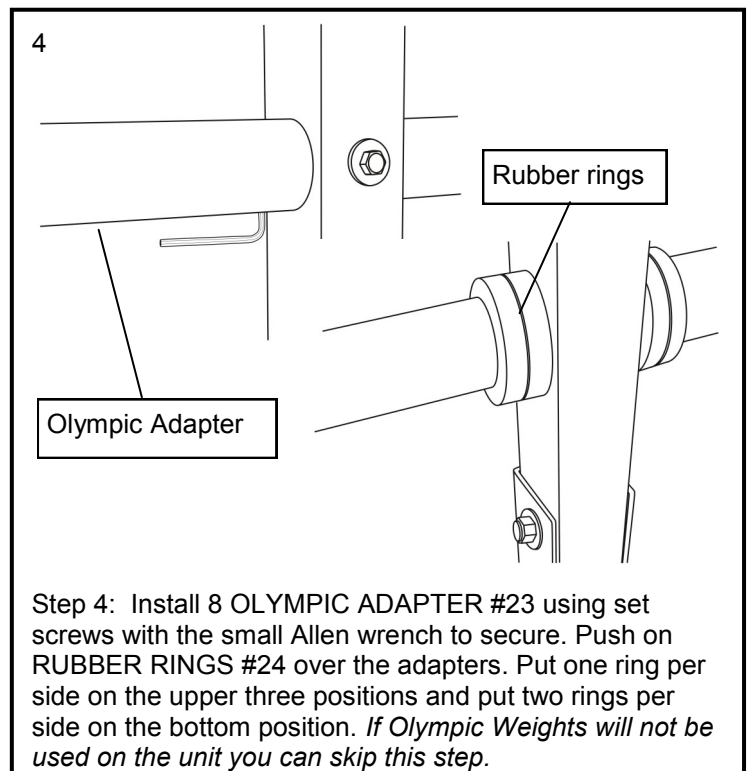
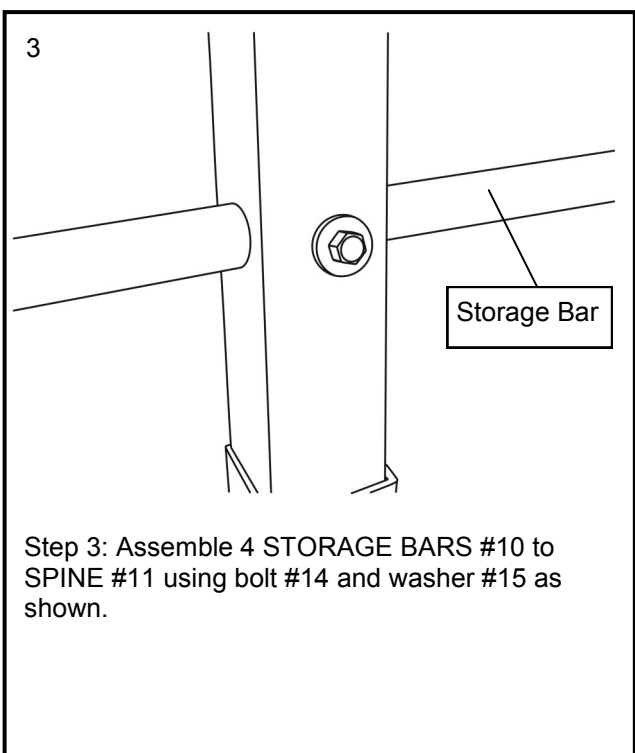
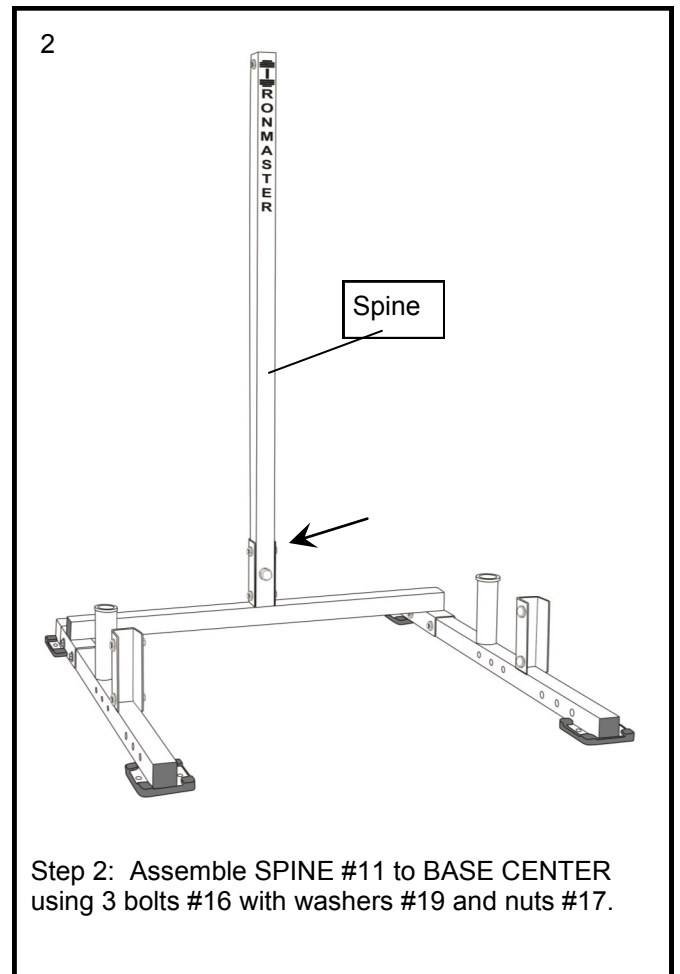
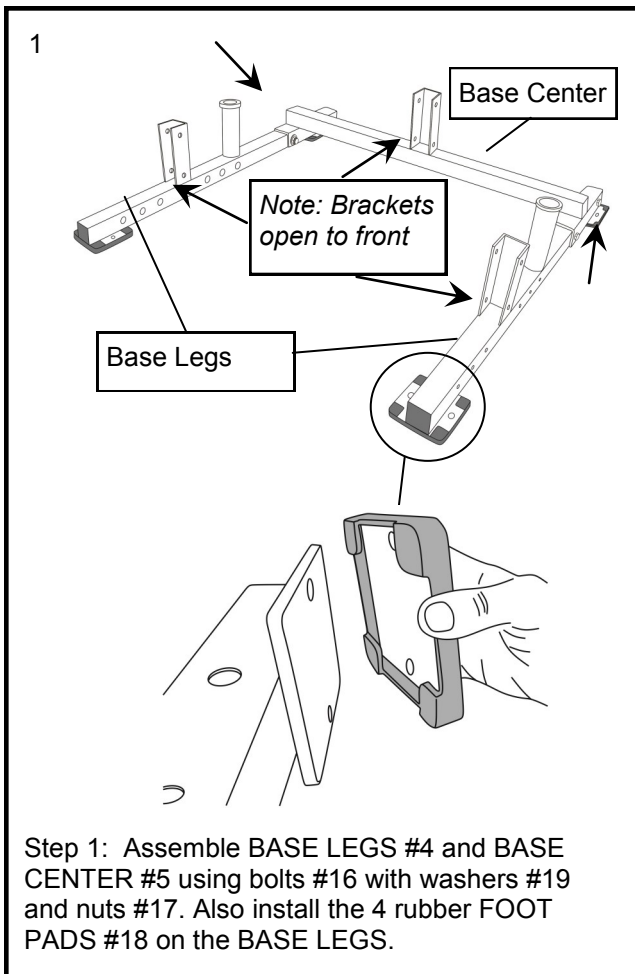
## Ironmaster IM1500

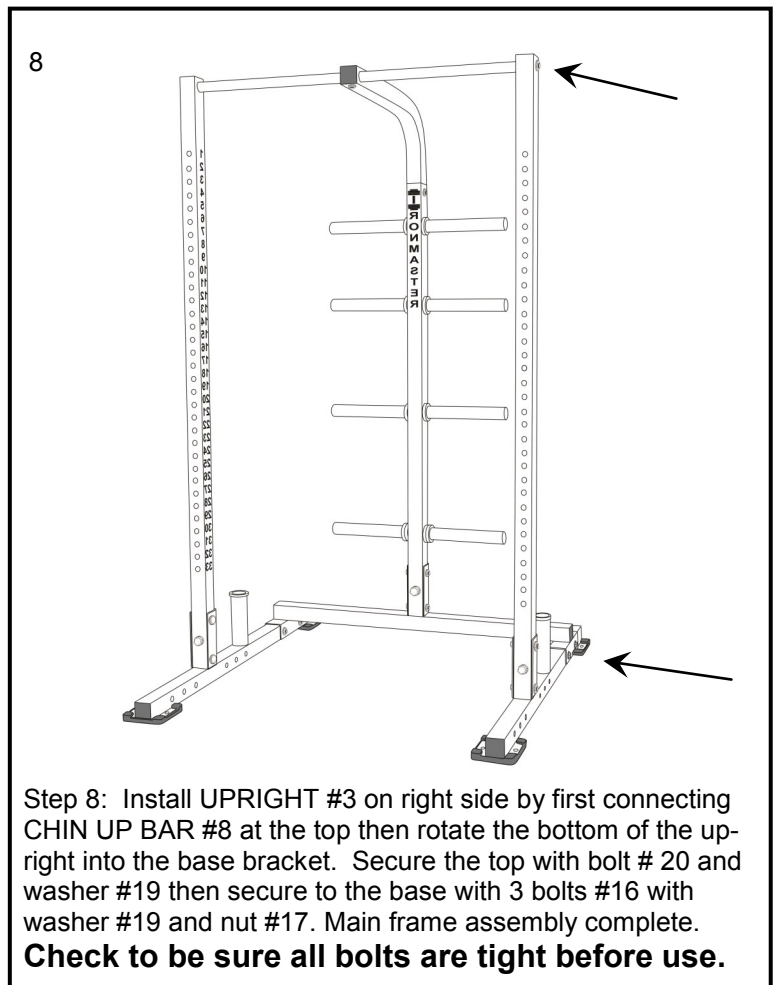
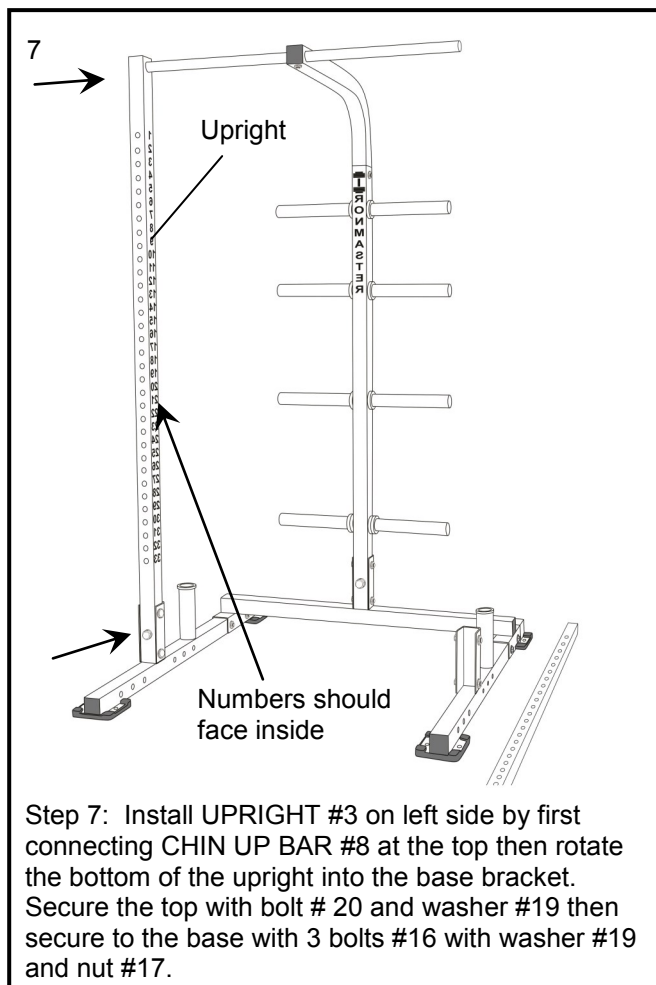
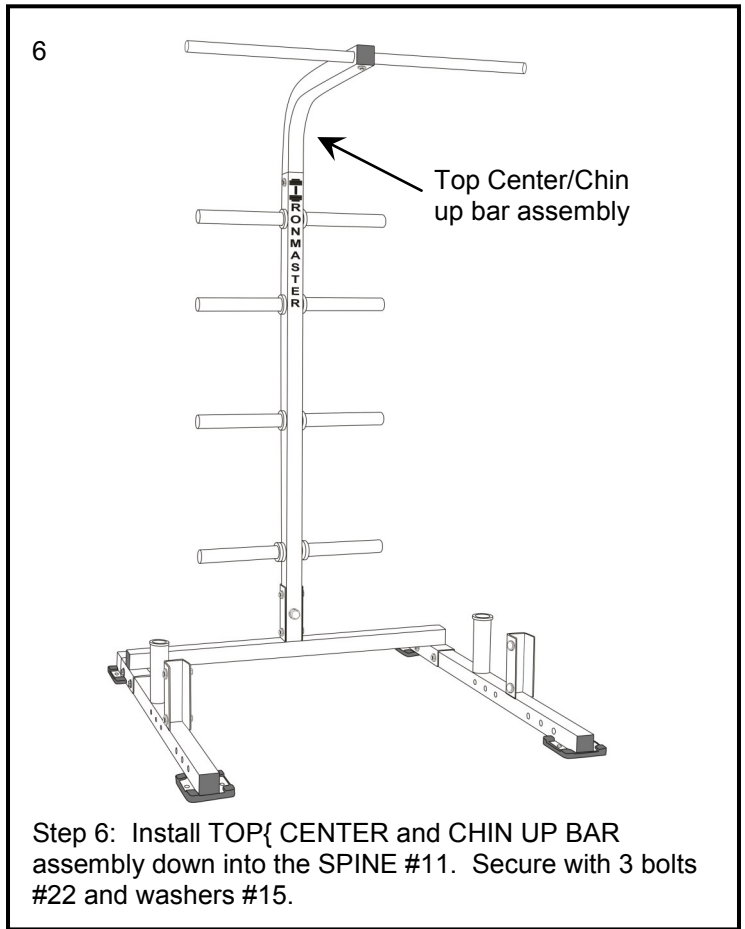
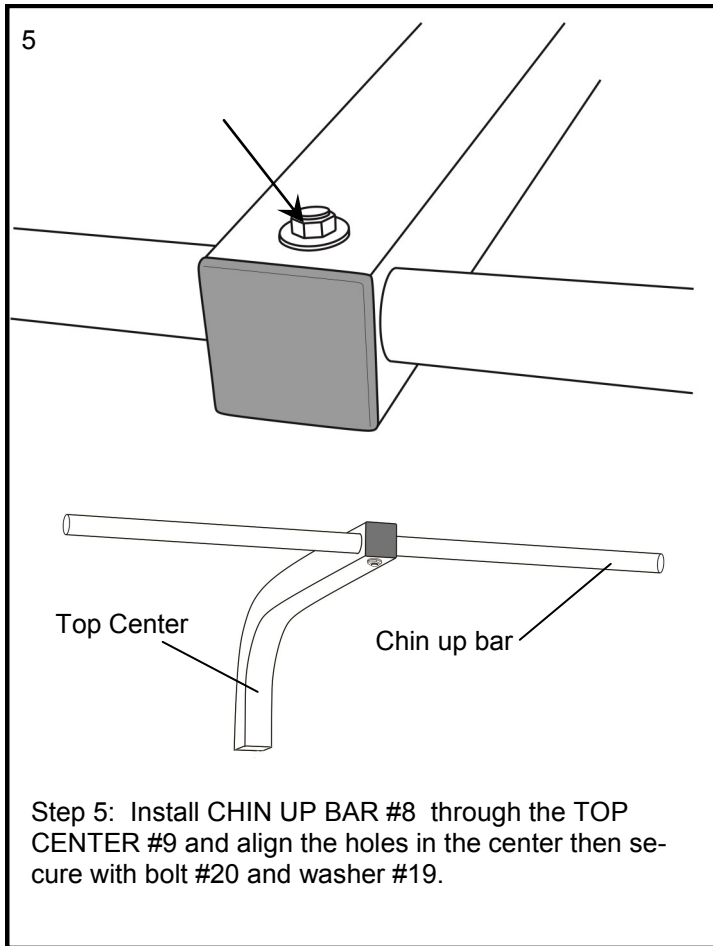


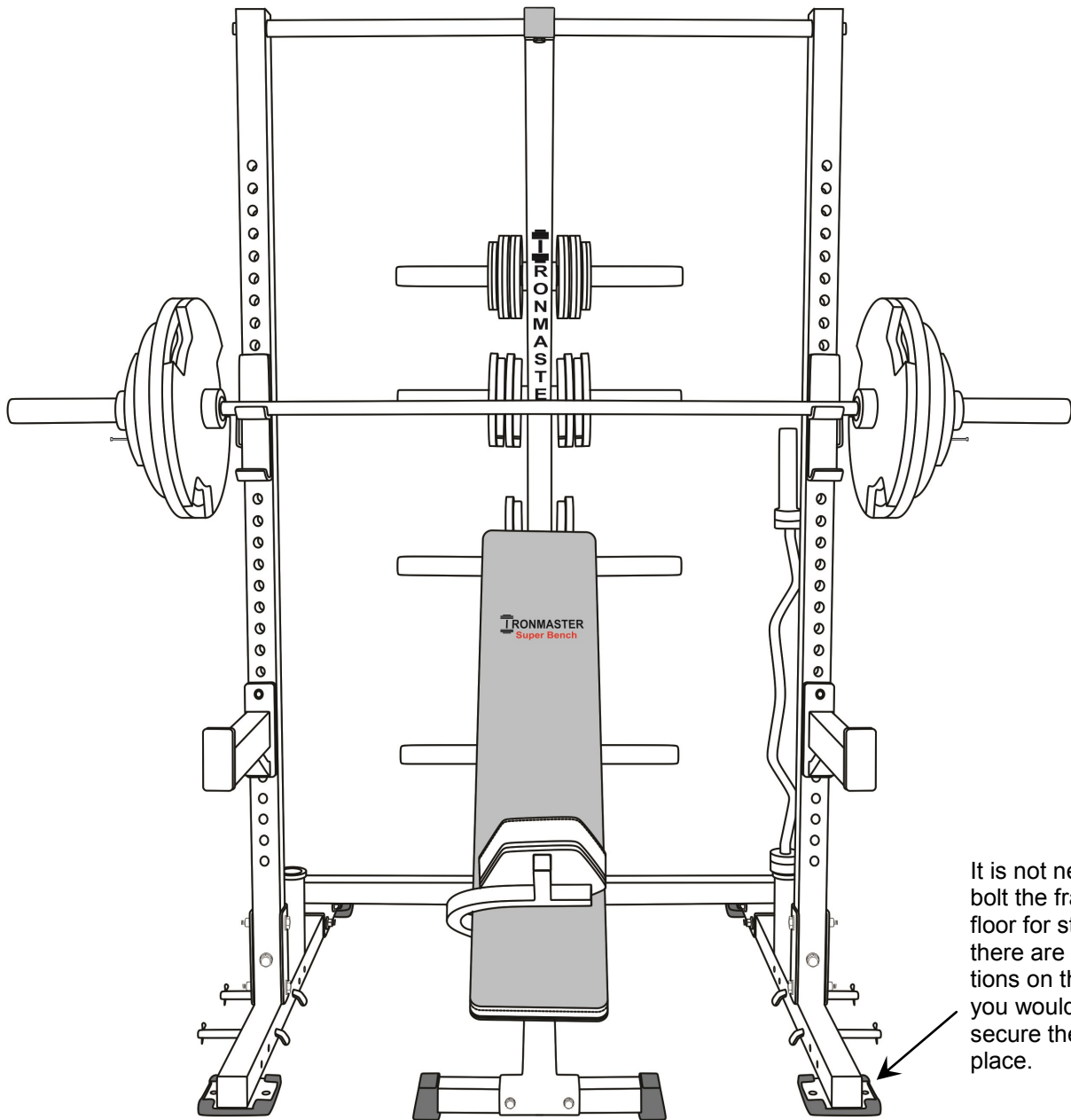
The IM1500 half cage is designed for barbell training with spotting capabilities. The IM1500 is designed to be used in conjunction with Ironmaster products, but can accommodate other brands plates/bars and or benches. Static weight rating is 1000 LBS/450 KGS for the frame and bar hooks/spotters.

Ironmaster recommends 2 people for assembly. Refer to this manual or the Ironmaster website for further details regarding usage of the IM1500 and read and understand all safety warning labels.

Congratulations on your purchase of this fine Ironmaster product. The following instructions will help you assemble the unit and provide some details on use as well. The only tools required are two adjustable wrenches. Unpack all the parts and make sure you have received all the parts as shown on the exploded view drawing and parts list. If you are missing anything or need anything, please call Ironmaster for assistance. 800-533-3339.

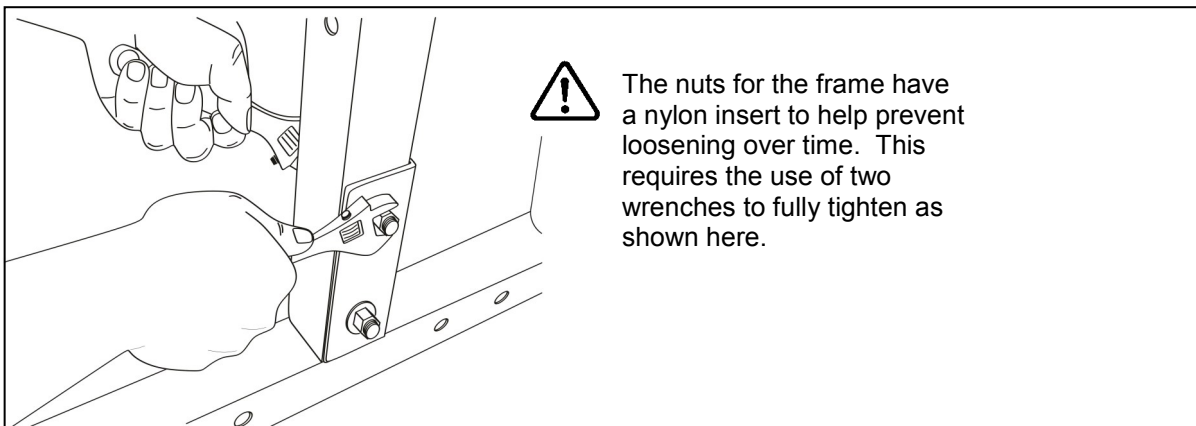


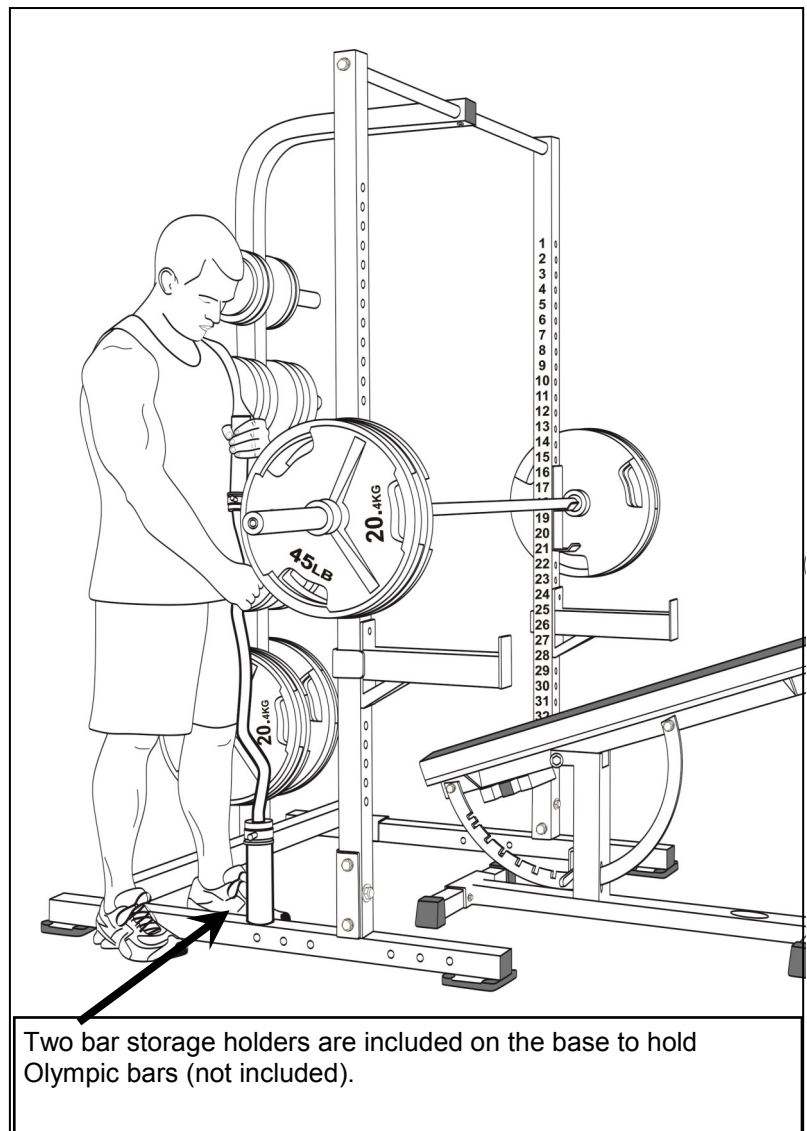
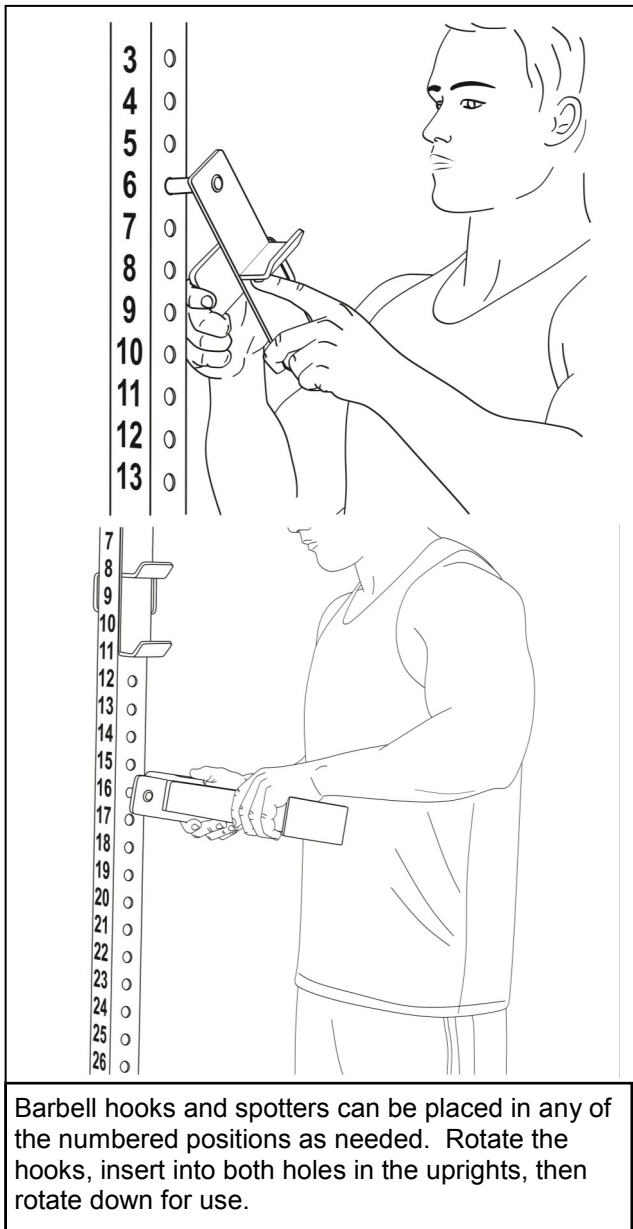
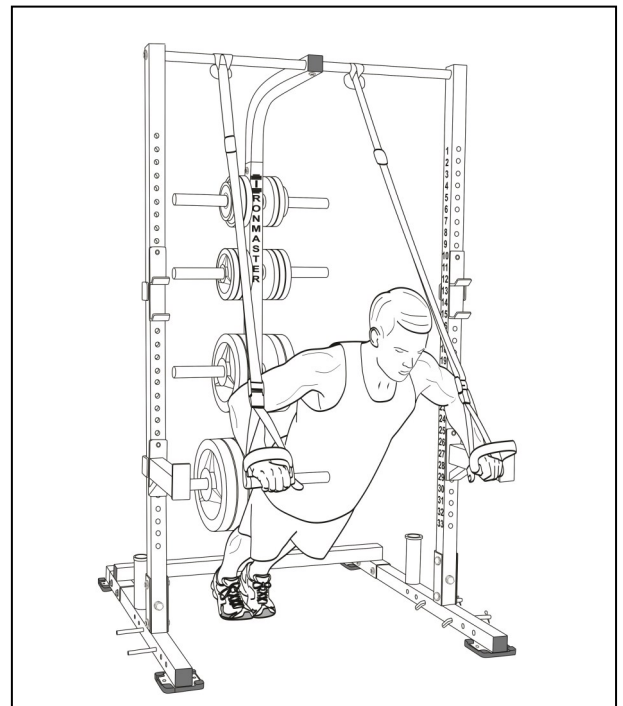
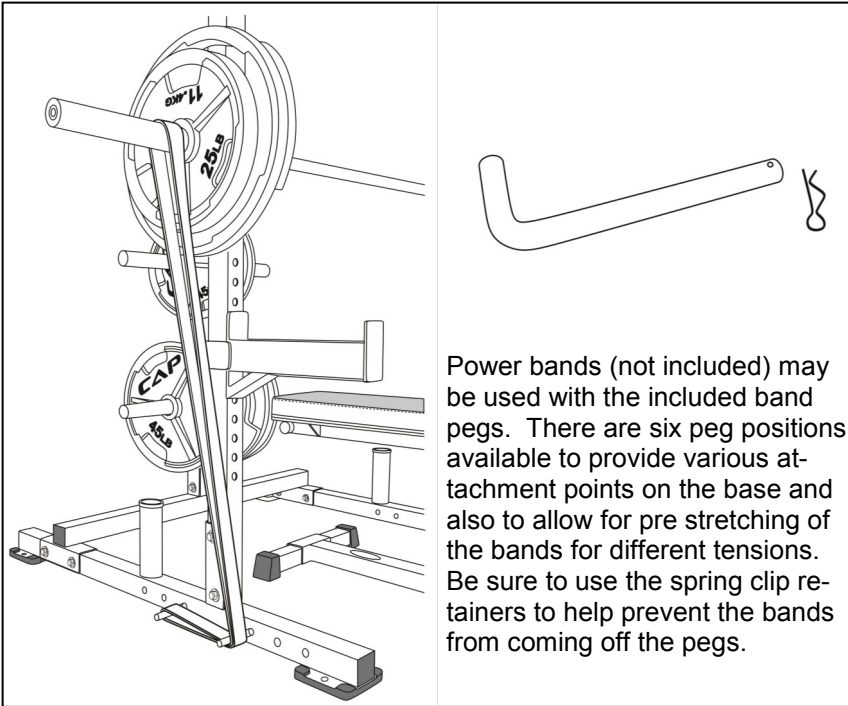




It is not necessary to bolt the frame to the floor for stability, but there are 8 bolt locations on the flanges if you would like to secure the frame in place.

IM1500 shown loaded with Super Bench, Weight plates and bars—sold separately.





## PARTS LIST FOR IRONMASTER IM1500

No.	Description	Qty	Detail
1	Barbell Hooks, Right	1	Black, steel assy
2	Safety Spotter Arm, Right	1	Black, steel assy
3	Upright	2	60mm square with 33 numbered peg holes
4	Base Leg	2	60mm square with foot plates
5	Base Center	1	60mm square with U brackets
6	Safety Spotter Arm, Left	1	Black steel assy
7	Barbell Hooks, Left	1	Black steel assy
8	Chin Up Bar	1	1.25" dia round, black
9	Top Center	1	60mm square bent frame
10	Storage Bars	4	1" dia round
11	Spine	1	60mm square with logo label
12	End Caps,	7	60mm square, plastic, black— <i>pre installed</i>
13	End caps	8	1" round, plastic, black— <i>pre installed</i>
14	Bolt	5	3/8" x 32mm, black hex bolt
15	Washer	8	3/8" flat washer, black
16	Bolt	13	1/2" x 93mm, black hex bolt
17	Nut	13	1/2" nylock nut, black
18	Foot Pad	4	Rubber, square, black
19	Washer	28	1/2" flat washer, black
20	Bolt	2	1/2" x 2" black hex bolt
21	Band Pegs	4	7" long with bent arm and spring clip, zinc
22	Bolt	3	3/8" x 16mm, black hex bolt
23	Olympic Adapter	8	49mm O.,D. x 320mm, black plastic
24	Rubber rings	10	49mm I.D., black rubber

**Warranty Information:**

Your Ironmaster product has a limited 10 year warranty to the original purchaser. Warranty covers repair or replacement for mechanical integrity when used according to the instructions for normal exercise use. Warranty covers in home use only. Finish and wear items such as rubber and painted surfaces are not covered. If you need warranty service, contact Ironmaster for return instructions and additional terms and conditions.

**For customer service, contact your local distributor or:**

Ironmaster LLC, 14562 167th Ave SE Monroe, WA 98272 USA  
 Web site: [www.ironmaster.com](http://www.ironmaster.com) Email: [support@ironmaster.com](mailto:support@ironmaster.com) Tel: 800-533-3339 or 1-360-217-7780

